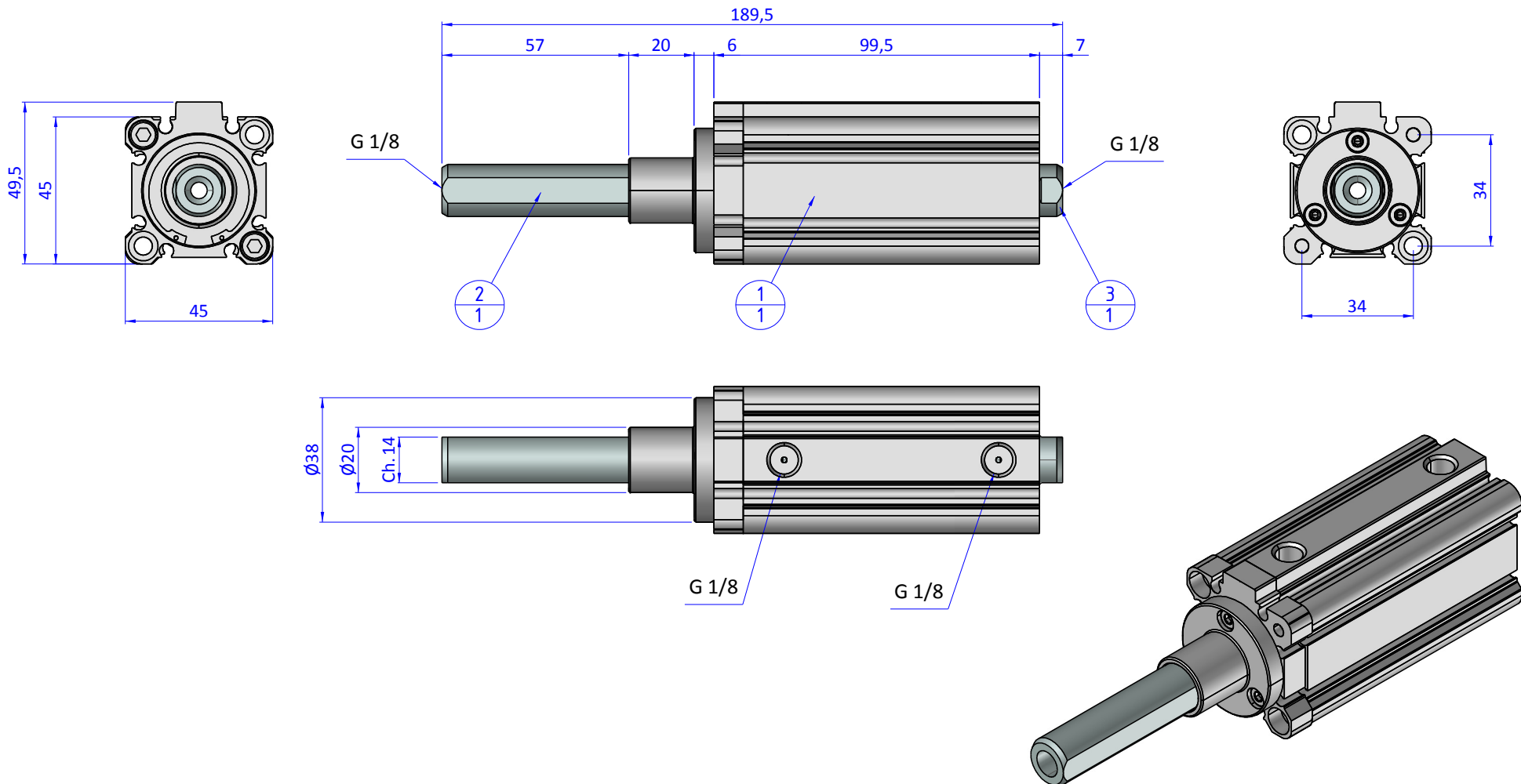



| Item | Name | Q.ty |
|------|--------------------|------|
| 1 | CA.KHZ.32205018 | 1 |
| 2 | CA.KHZ.32205018.01 | 1 |
| 3 | CA.KHZ.32205018.02 | 1 |



THE PROPERTY OF THE DRAWING IS ESTABLISHED BY LAW. IT IS FORBIDDEN TO PRODUCE OR SHOW IT TO THIRD PARTY, WITHOUT A WRITTEN AGREEMENT.

Format A3
UNI 936-76

| | | | | |
|------------------------------------------------------------------------------------------------------------------------------|--|-----------------|---------|-----------------|
|  FPS FPSERVICES AUTOMATION | | DESIGNED FROM | | REVIEW |
| | | FPS Automation | | A |
| GENERAL TOLERANCE | | DATE | WEIGHT | |
| UNI - ISO 2768 | | 15/11/2018 | 0,000kg | |
| CLASSE f | | CODE | | |
| | | CA.KHZ.32205018 | | CA.KHZ.32205018 |